



# hp OpenVMS I64 Packaging, Licensing, & Business Practices for hp Integrity servers



Leo Demers  
OpenVMS Business Manager  
Hewlett-Packard

© 2004 Hewlett-Packard Development Company, L.P.  
The information contained herein is subject to change without notice





# Objectives

## OpenVMS I64 Business Practices Design:

- Simplicity
- Flexibility
- Cost Effective



# hp OpenVMS I64 Operating Environments



## Packaging

- Introduce OpenVMS packaging consistent with HP-UX OEs
- Provides a 3 tier pricing paradigm

## OpenVMS I64 Operating Environments details:

### •Foundation OE (FOE) Base

- An **internet ready**, feature rich feature set for **price sensitive** customer

### •Enterprise OE (EOE)

- A **higher cost** feature set that enhances the customer experience in areas of **manageability, single system availability and performance**

### •Mission Critical OE (MCOE)

- Has the **highest cost**, but delivers the ultimate customer experience in terms of **multi-system availability and workload management**





# HP OpenVMS Integrity Packaging

## OpenVMS Integrity Foundation Operating Environment

- OpenVMS Operating System
- **OpenVMS Unlimited User Licensing**
- TCP/IP Services for OpenVMS
- DECnet-Plus for OpenVMS End System
- DECwindows Motif for OpenVMS
- DECnet IV
- Performance Data Collector
- Web Agents
- WEBM / CIM

## Integration Technologies

- BridgeWorks
- COM for OpenVMS
- Secure Web Server (SWS)
- Secure Web Browser (SWB)
- SDK for the Java™ Platform
- XML Technology
- NetBeans
- Simple Object Access Protocol (SOAP) Toolkit
- Kerberos
- Enterprise Directory
- CDSA
- SSL
- OpenSource Tools



# HP OpenVMS Integrity Packaging

## OpenVMS Integrity Enterprise Operating Environment

### OpenVMS Integrity Foundation OE

- OpenVMS Operating System
- **OpenVMS Unlimited User Licensing**
- TCP/IP Services for OpenVMS
- DECnet-Plus for OpenVMS End System
- DECwindows Motif for OpenVMS
- DECnet IV
- Performance Data Collector
- Web Agents
- WEBM / CIM
- Integration Technologies
  - BridgeWorks
  - COM for OpenVMS
  - Secure Web Server (SWS)
  - Secure Web Browser (SWB)
  - SDK for the Java™ Platform
  - XML Technology
  - NetBeans
  - Simple Object Access Protocol (SOAP) Toolkit
  - Kerberos
  - Enterprise Directory
  - CDSA
  - SSL
  - OpenSource Tools

### Add to Foundation:

- **RMS journaling**
- **Volume Shadowing**
- **DECram**
- **OpenVMS Management Station**
- **Enterprise Capacity Planner – ECP**
- **Availability Manager-AM**

**Note: Products listed in yellow are available as separately licensable products outside of OE.**

# HP OpenVMS Integrity Packaging

## OpenVMS Integrity Mission Critical Operating Environment

### OpenVMS Integrity Enterprise Operating Environment

#### OpenVMS Integrity Foundation OE

- |  |  |
|--|--|
| <ul style="list-style-type: none"> <li>• OpenVMS Operating System</li> <li>• OpenVMS Unlimited User Licensing</li> <li>• TCP/IP Services for OpenVMS</li> <li>• DECnet-Plus for OpenVMS End System</li> <li>• DECwindows Motif for OpenVMS</li> <li>• DECnet IV</li> <li>• Performance Data Collector</li> <li>• Web Agents</li> <li>• WEBM / CIM</li> </ul> | <ul style="list-style-type: none"> <li>• Integration Technologies</li> <li>• BridgeWorks</li> <li>• COM for OpenVMS</li> <li>• Secure Web Server (SWS)</li> <li>• Secure Web Browser (SWB)</li> <li>• SDK for the Java™ Platform</li> <li>• XML Technology</li> <li>• NetBeans</li> <li>• Simple Object Access Protocol (SOAP) Toolkit</li> <li>• Kerberos</li> <li>• Enterprise Directory</li> <li>• CDSA</li> <li>• SSL</li> <li>• OpenSource Tools</li> </ul> |
|--|--|

#### Add to Foundation:

- RMSjournaling
- VolumeShadowing
- DECram
- VMS Management Station
- Enterprise Capacity Planner – ECP
- Availability Manager - AM

#### Add to Enterprise:

- OpenVMS Clusters
- OpenVMS RTR Backend

**Note: Products listed in yellow are available as separately licensable products outside of OE package.**



**One DVD media for all 3 OE's**



# Separately Licensed Products

Q: Do I need to buy a Mission Critical OE if I only need a Cluster License and Volume Shadowing?

A: No, Products within the EOE and MCOE (listed in yellow on the previous slide) may be purchased separately

Example: A customer wants only a cluster license and volume shadowing license, so they purchase:

- FOE and
- VMSCluster license and
- Volume Shadowing

Note: FOE is the smallest set of OpenVMS functionality for sale; so, functions within FOE are not separately available

# OE and Layered Products Media

- OE DVD Media
  - The OpenVMS Operating System
  - All layered products that make up the OE Components
  - OE DVD updates ONLY when the O/S revises (8.2, 8.3)
- OE Delta Disk Media
  - All Updated “OE Component” Layered Products
    - A consolidation all previous OE Delta Disk bundles
      - Quarterly updates will be cumulative
    - Only the latest OE component revision will be included on a given update of the OE bundle
- Layered Product Library Media
  - Library Package of Software Layered Products not included in the OE distributions
    - Includes On-Line Doc updates
  - Similar to Alpha/VAX Software Product Library
    - Key difference is that the SPL is a Subscription Service Deliverable



# OpenVMS for Integrity Media Kits

## Operating System Media Kit

## Quarterly Update Kit



**OpenVMS I64  
OE Media**  
-Foundation  
-Enterprise  
-Mission Critical

Contents:  
All Three  
OE bundles

Media: DVD  
(Format DVD5)



**On-Line Doc  
Media**

Contents:  
OE bundle  
Docs

Media:  
CD (files11)  
CD (ISO9660)



**System Tools  
Media**

Contents:  
Services  
System Tools

Media:  
CD



**Freeware  
Media**

Contents:  
Products for  
All Three  
Architectures

Media:  
CD



**Open Source  
Tools Media**

Contents:  
Open Source  
Tools ported  
for Itanium

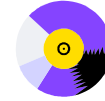
Media:  
CD



**OE Delta Disk**

Contents:  
Updated OE  
components

Media: DVD  
(Format DVD5)



**Layered Product  
Library**

Contents:  
OpenVMS  
Layered  
Products

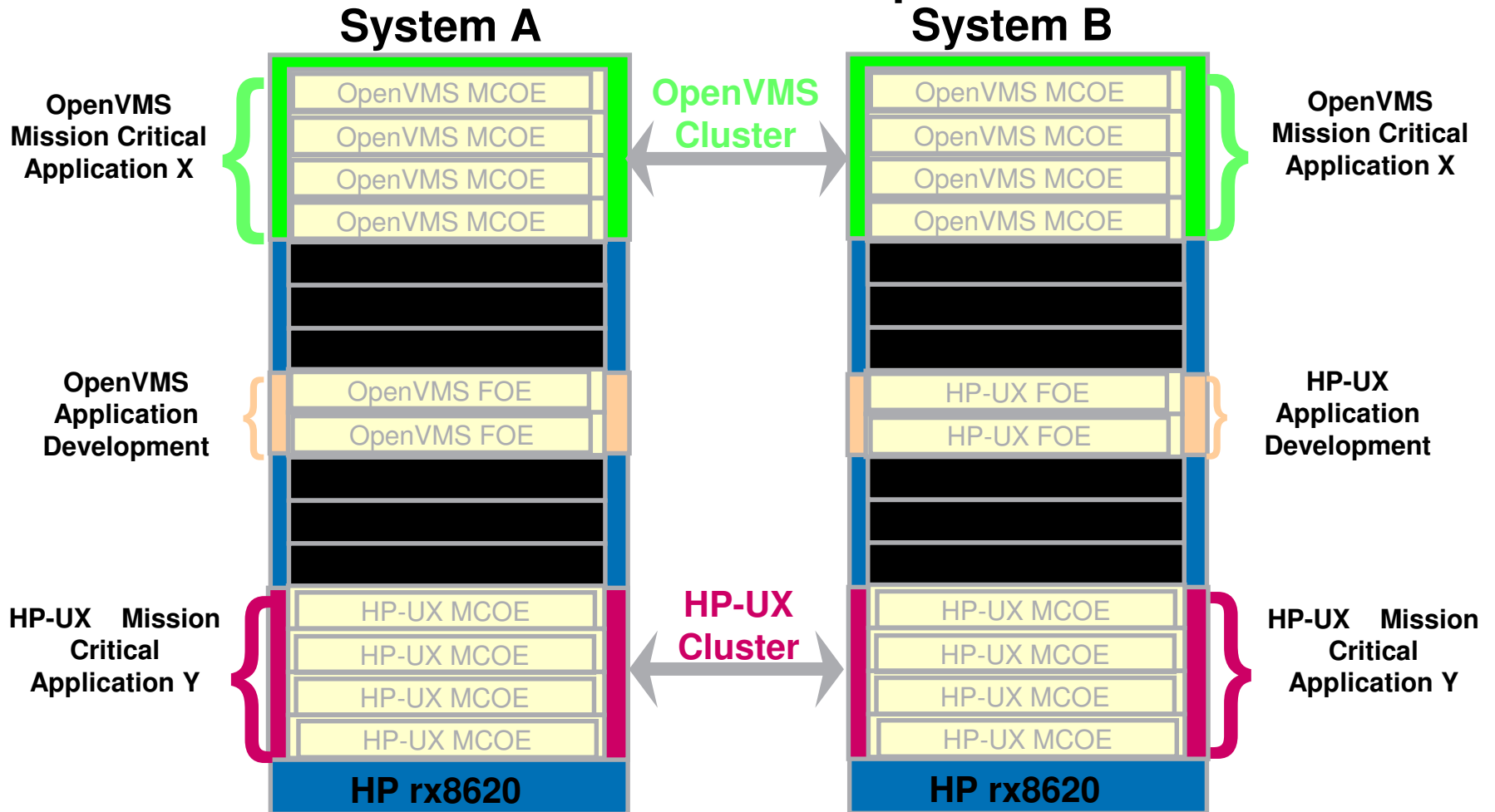
Media: DVD  
(Format DVD5)

## Complete OpenVMS Media Kit

# Software Licensing Overview

- **Per-processor licensing (PPL)**
  - Very **flexible** licensing design
  - Purchase software based on the **# of CPUs** in a partition or system
- **Benefits of PPL**
  - **More granular** – customer pays for exactly what they need
  - **More flexible** – licensing is not per box, but per-processor so customer can move assets as needed
  - **Accommodates partitioning** – allows use of different types of OEs in different hardware partitions and different Operating Systems
  - **Expandable** – customers can purchase processors and software to meet needs over time

# Operating Environment/PPL Business Practice Example



Note: OpenVMS I64 will not support the rx8620 until V8.3 due in H2CY05



# Example of Ordering Mission Critical Software for a 4 cpu ES80 AlphaServer



## OpenVMS Mission Critical Software for ES80 with 4 cpus AlphaServer

SKU	Description	QTY	# PAKS
<b>OVMS Licenses Packaged with ES80 Server</b>			
QL-MT1AG-6Q	OVMS Alpha Base License, ES80	1	1
QL-0LXAG-AA	TCP/IP Services for OpenVMS	1	1
QL-5LQAG-AA	Archive Backup System for OpenVMS Management Tools	1	1
QL-5LSA9-3B	Archive Backup Agent for Windows NT	1	1
QL-MTFAG-AA	DECnet-Plus for OpenVMS Alpha End System	1	1
QL-MV4AG-AA	DECwindows Motif for OpenVMS Alpha	1	1
QM-5LKAA-AB	PATHWORKS 32, V7.3	3	3
QM-5SUAA-AK	Pathworks V6.1 for OpenVMS - Advanced Server V7.3A	2	2
QM-5TB9A-AA <sup>†</sup>	Office Server for OpenVMS	1	1
QM-5TD9A-AQ <sup>†</sup>	Office Server Client Access License	2	2
QL-MT1A9-6S	OVMS Alpha 2 SMP ES80	2	4
<b>Ala Carte Mission Critical Licenses</b>			
QL-MT2AG-AA	HP OVMS Alpha Unlimited G tier license	1	1
QL-MUZAG-AA	HP VMScluster OVMS Alpha G tier license	1	1
QL-0VHAG-AA	RMS Journal V/A TRAD LIC	1	1
QL-2A1AG-AA	HP Vol Shadow OVMS Alpha G tier license	1	1
QL-MV3AG-AA	HP DECram for OpenVMS Alp G tier license	1	1
<b>OS and Layered Product Media</b>			
QA-MT1AA-H8	HP OVMS Alpha OS media kit CD-ROM	1	
QA-03XAA-H8	HP OVMS Alpha SW Library Media Pkg	1	
		<b>Total</b>	<b>23</b>



# Example of Ordering MCOE Software for a 4 cpu rx4640 mx2 Itanium Server



## OpenVMS Mission Critical Software for rx4640 with 4 cpus

SKU	Description	QTY	# PAKS
<b>Mission Critical Operating Environment Licenses</b>			
BAnnnAC	HP OVMS I64 Base LTU 4 sockt w/sys	1	
BAnnnAC	HP OVMS I64 MCOE PPL LTU max4 sockt w/sys	4	1
<b>MCOE Product Media</b>			
BA324AA	HP OpenVMS I64 MCOE Media	1	
<b>Total</b>			<b>1</b>

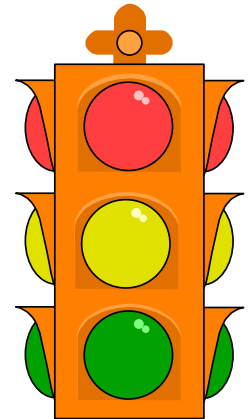
# LMF PPL Compliance

- PPL is based on licensing CPUs
- 1 unit per running CPU on node
- 3 states

Red - PAK is not loaded  
product cannot run (failure status returned)

Yellow - short 1 or more units as compared to  
# of CPUs product can run (success status  
returned, PPL tool will flag)

Green - units equal or greater than # of CPUs  
product can run (success status returned)





# License Trade-in Policy

A single cross platform license trade-in policy has been introduced for customers migrating to Integrity or HP 9000 servers. Cross platform trade-ins include:

From	To
HP-UX HP 9000	HP-UX on Integrity server OR OpenVMS I64
Tru64 UNIX Alpha	HP-UX HP 9000 OR HP-UX on Integrity server OR OpenVMS I64
OpenVMS VAX or Alpha	OpenVMS I64 OR HP-UX HP 9000 OR HP-UX on Integrity server
MPE/iX e3000	HP-UX HP 9000 OR HP-UX on Integrity server OR OpenVMS I64



# Software Cross Platform Trade-in Policy



<b>Support* Customer</b>	<ul style="list-style-type: none"><li>• Licenses on support* are traded-in for new licenses at <b><u>no charge</u></b></li><li>• Commitment to continue support* on new licenses for one (1) year</li></ul>
<b>Non-Support* Customer</b>	<ul style="list-style-type: none"><li>• Licenses not on support* are traded-in for new license purchase at <b><u>40% of new license price</u></b></li><li>• Commitment to support* on new licenses for one (1) year, pre-paid</li></ul>

- Trade-in applies to ‘equivalent product’ or operating environment licenses
- Parallel usage of licenses on both platforms is allowed during transition, consistent with the parallel usage for the hardware

\*Support = Service contract with License to Use (LTU) right to new versions (RTNV)





# HP-UX HP 9000 OR HP-UX on Integrity server OR OpenVMS I64



Trade-in Original Licenses → Credit for Equivalent OE License

OpenVMS Alpha Product License	OpenVMS I64 Operating Environment License
OpenVMS Base	Foundation Operating Environment (FOE)
OpenVMS SMP	
OpenVMS Users	
Enterprise Integration Package	
Volume Shadowing	Enterprise Operating Environment (EOE)
RMS Journaling	
DECram	
VMSClusters	Mission Critical Environment (MCOE)

**Example:** Trade-in Base, 3 SMPs, Users and EIP from a four CPU server and receive credit for 4 FOE PPL licenses on the Target server

**Example:** Trade-in all of the above plus 2 of the 3 EOE products and receive credit for 4 EOE PPL licenses

**Example:** Trade-in all of the above plus VMSClusters and receive credit for 4 MCOE PPL licenses

All license trade-ins require Proof of License for license being traded-in



# Example: Layered Product Equivalency Map



## FROM Platforms:

## TO Platforms:

OpenVMS VAX	OpenVMS Alpha	Tru64 UNIX Alpha	MPE/iX e3000	HP-UX HP 9000
VAXcluster	VMScluster	TruCluster SVR	HA Cluster/iX	MC/Service Guard
Fortran VV	Fortran VA	Fortran UA	Fortran iX	HP Fortran 90
C++ VV	C++ VA	C++ UA	C iX	HP aC++

OpenVMS I64	HP-UX
VMScluster I64	MC/Service Guard or TruCluster SVR UX
HP Fortran I64	HP Fortran 90
HP C++ I64	HP aC++

**Example:** Trade-in TruCluster SVR from Tru64 Alpha and receive credit for TruCluster SVR on HP-UX Integrity

**Example:** Trade-in Fortran from OpenVMS Alpha and receive credit for Fortran on OpenVMS I64

**Example:** Trade-in HA Cluster/iX from MPE/iX e3000 and receive credit for MC/Service Guard on HP-UX Integrity

All license trade-ins require Proof of License for license being traded-in



# How Credit is Applied for License Trade-in



When a license is traded-in, the equivalent new license(s) is added to the order along with the applicable credit product number option

Example: Customer trades-in OpenVMS Alpha operating system, Volume Shadowing and RMS Journaling licenses for the Enterprise Operating Environment (EOE) for a single CPU 4 socket server

Support Customer	Product Description	Product Number	License or Credit Price
<b>Purchase:</b>	Enterprise OE for Integrity, 4 socket	BA397AC	\$6380.
<b>Add 100% Credit</b>	In-support cross-platform PPL trade-in from VMS	BA397ACN#109	(\$6380.)
			Net \$ 0.

Non-Support Customer	Product Description	Product Number	License or Credit Price
<b>Purchase:</b>	Enterprise OE for Integrity, 4 socket	BA397AC	\$6380.
<b>Add 60% Credit</b>	Out of support cross-platform PPL trade-in from VMS	BA397ACN#113	(\$3828.)
			Net \$ 2552.





# Software Services: OpenVMS/Alpha

- Business as Usual
- Software Updates for 8.2 will be delivered for:
  - Individual Product Offerings at FRS
  - Software Products Library – 1st Quarterly Release after FRS
- Alpha service contract audiences:
  - Contracts migrated to panHP contract base (using new HP “purple” services)
  - Contracts still on pmCPQ contract base (using pre-merger “red” service offers)



# Software Services: OpenVMS/I64

- Base service offers that may be purchased as contractual services:
  - Software Technical Support
  - Software Updates
- These base service offers are included in all Upfront Care Packs for sale with the OpenVMS I64 products, and Contractual Packages
- SW Updates is a pre-requisite for SW Technical Support
  - Ensures customers have the latest revision of software
  - Increases service revenue



# SW Updates Delivery I64 vs. Alpha

- **No software updates delivered for individual products** – one quarterly distribution for all OE and Layered Products:
  - OE updates will be delivered on the Delta Disk
  - Layered product updates will be delivered through the Layered Products Library
- **HP will start with a “push” model to automatically deliver updates to the customer. Will move to “pull” model where HP notifies customers when a new release is available when volumes allow:**
  - Paper Notification through mail
  - Email notification through Software Update Manager (SUM)
- **Customer decides if they want the update.** If yes they respond by:
  - Sending back Paper Notification by mail/FAX
  - Logging into SUM and making their selection for physical delivery and/or download (if available)
- **HP automatically delivers new updates to Customer Support Centers and Value Added Business/Channels (“Push”)**
- Physical delivery on DVD media will include a Code Word to unlock products the customer is authorized to use through service contract

# Licensing Summary



## – License Offers

- Introduce Per Processor License (PPL) for all OE packages, and most layered products
- For compilers and development tools, offer concurrent use licenses
- A single license offer per product

## – Software Services

- Common Services for HP-UX and OpenVMS I64 for both products and Operating Environments:
  - Software Support
  - Software Product Updates
  - → Simpler contracts

## – License Management

- Continue to utilize LMF
  - Soft compliance for PPL
- Key Fulfillment
  - Electronic and/or
  - Paper

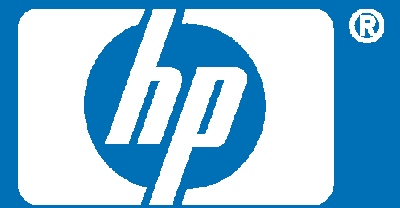
## – Order Administration

- Integrated ordering processes Integrity, HP-UX, and OpenVMS

## – Trade-in Policy

- Service customer
- Non-service customer

*Questions?*



i n v e n t





# HP WORLD 2004

Solutions and Technology Conference & Expo

Co-produced by:



RECOMMENDED TRAINING VENUE FOR THE  
**HP Certified Professional**





# Grid